

Micro Speaker

Model: OSR16R-4.7F0.8W8A-W



ELECTRICAL SPECIFICATIONS

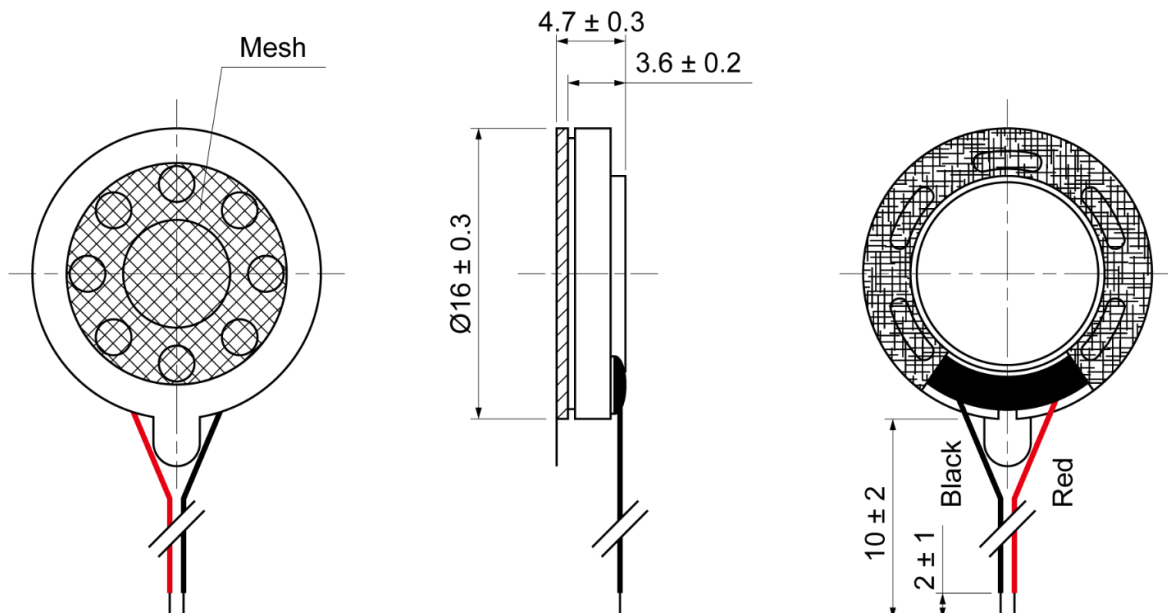
	Condition	Parameter	Unit
Sound Pressure Level	at 0.1W, 10cm [at 0.8, 1.0, 1.2, 1.5 KHz]	89 ± 3	dB
Impedance	at 1V, 2KHz	8 ± 15%	Ω
Rated Input Power		0.8	W
Max Input Power		1	W
Resonant Frequency (Fo)	at 1V	900 ± 20%	Hz
Frequency Range		Fo ~ 20000	Hz
Buzzer & Rattles	not be audible at sine wave between Fo ~ 20KHz	2.53	V
Operating Temperature		-30 ~ 70	°C
Magnet		Nd-Fe-B	
Frame Material		Plastic	
Cone Material		Mylar (PET)	
Weight		1.5	g

MECHANICAL DRAWING

Dimensions in mm

Wire: 10mm UL1571 32AWG

Tolerance ±0.3mm Except Specified

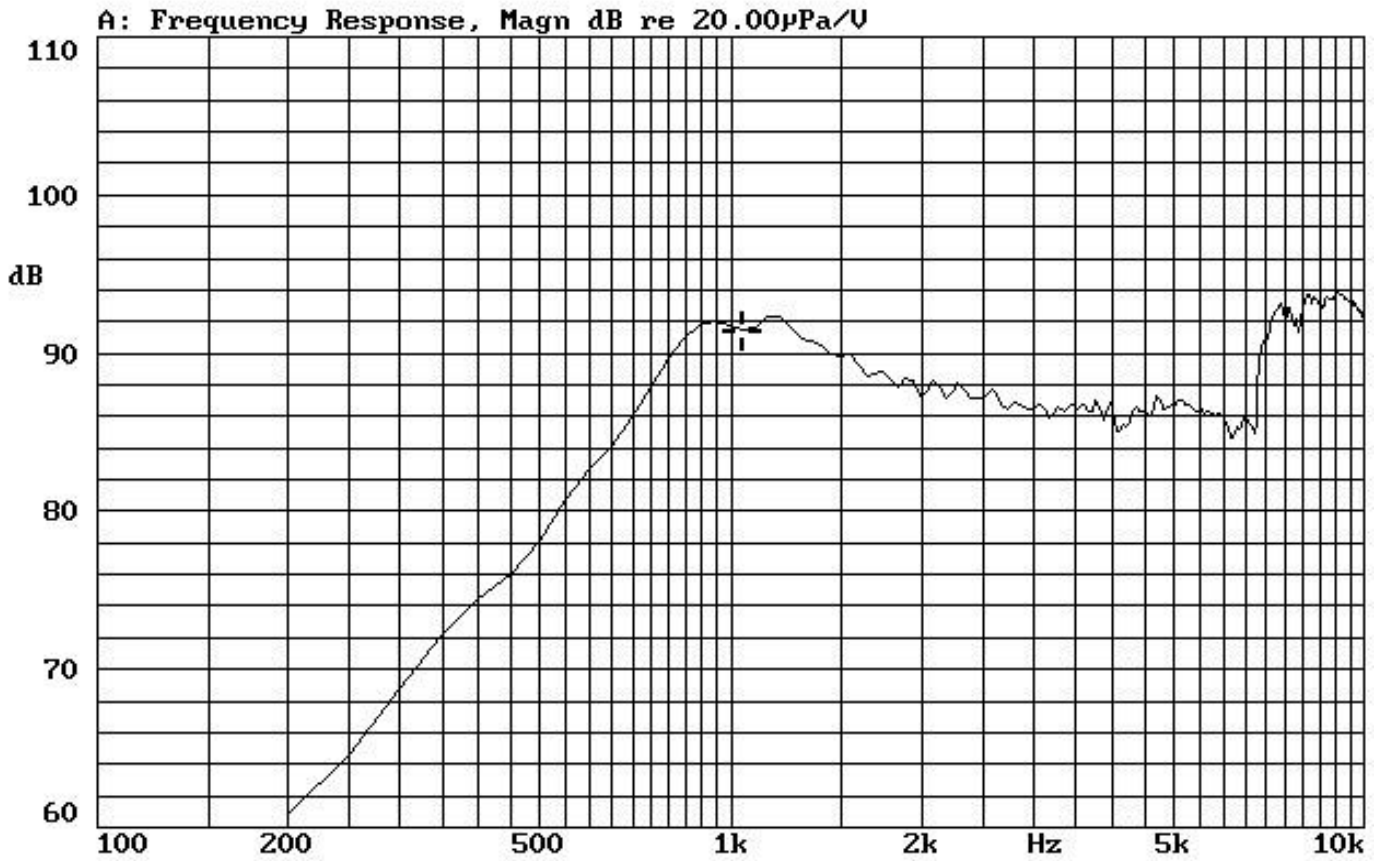


Micro Speaker

Model: OSR16R-4.7F0.8W8A-W

FREQUENCY RESPONSE CURVE

X:1.0434kHz Y:91.42dB ZA:Live Curve TSR fund.



08-SEP-2005 16:24:54

Mode: TSR

